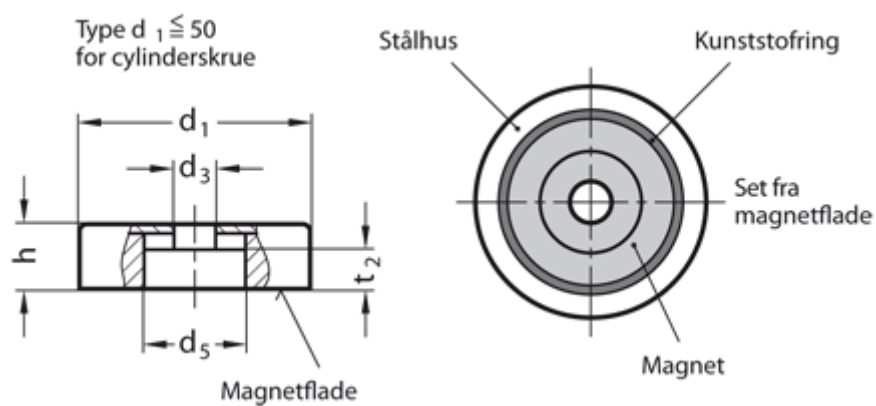


Article number: 201226048

Description: E+G Magnets with bore GN 50.4-HF-80-18-6,5
Hard ferrite - 200° C, 540N

Measures



d1 = 80 +0,5/-0,1

d3 = 6.5

d5 = 11.5

h = 18 +0,5/-0,1

Holding force N = 540

Material = HF hard ferrite - 200°.C

t2 = 15.0